

TurboFog

Individual, flexible, versatile

The TurboFog air humidification system offers customized designs for a range of applications. Whether humidification is needed to improve comfort in office environments or for industrial applications in production and warehouse facilities – the TurboFog system is always extremely quiet and totally drip-free. The flexible choice of combinations of the different nozzle guarantees optimum humidification results and economical operation.

Example applications



Printing industry



Offices / workshops



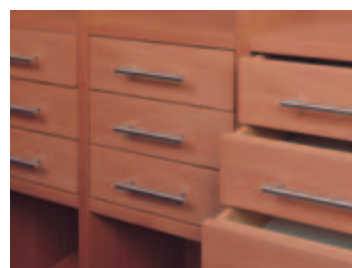
Electronics industry



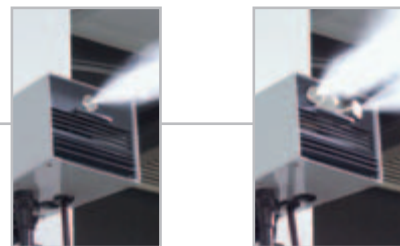
Textile industry



Food production



Wood processing



Clear advantages at a glance

- Consistent refinement**
The new product line is the result of our constant technical optimisation (e.g. quieter, finer nebulisation etc.).
- One system – many solutions**
Flexible nozzle combinations allow customized solutions, optimum results and excellent economy.
- No compressed air**
Microfine atomization using a high-tech swirl nozzle - no expensive compressed air.
- Very quiet**
No irritating hiss. Quiet as a breath of wind...
- Stainless steel technology**
Suitable for partially demineralised water (R/O water). Corrosion-resistant stainless steel for a long life and optimal operation of the nozzle.
- Even humidification**
The high-performance fan ensures that the aerosols are rapidly distributed into the air.
- Convenient**
The atomizer can be swivelled in both horizontal and vertical planes, making it extremely flexible in use.

When you need humidity



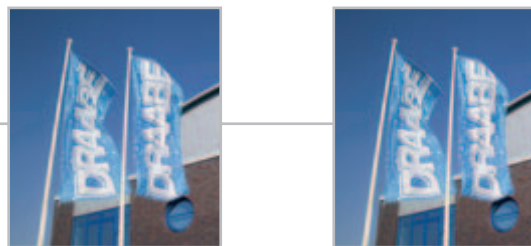
DRAABE Industrietechnik GmbH
Schnackenburgallee 18
D - 22525 Hamburg
Germany

Phone: + 49 40 - 85 32 77 - 0
Fax: + 49 40 - 85 32 77 - 44

e-mail: draabe@draabe.com
Internet: www.draabe.com

A WMH Company

DRAABE
a WMH Company



DRAABE
a WMH Company

Humidification and Water Treatment

Help:

Requirements are determined together with our specialist consultants. Technical alternatives are presented and discussed. A water analysis is carried out.

Engineering:

Your individual system is designed by our planning department and developed in CAD. You receive your tailor-made system.

Service:

Our customer service department starts up the system. Personnel induction is provided. A log is created. Our service agreement ensures competent and reliable after sales service.

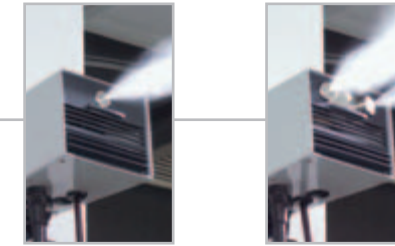
DRAABE
a WMH Company

The Air Humidification System TurboFog



The Air Humidification System

TurboFog



One system for every requirement...

Convenient



DRAABE TurboFog 4 (4 kg/h max.): Ideal for offices, museums, pre-press

Economical



DRAABE TurboFog 8.1 (8 kg/h max.): Attractive value for money

Flexible

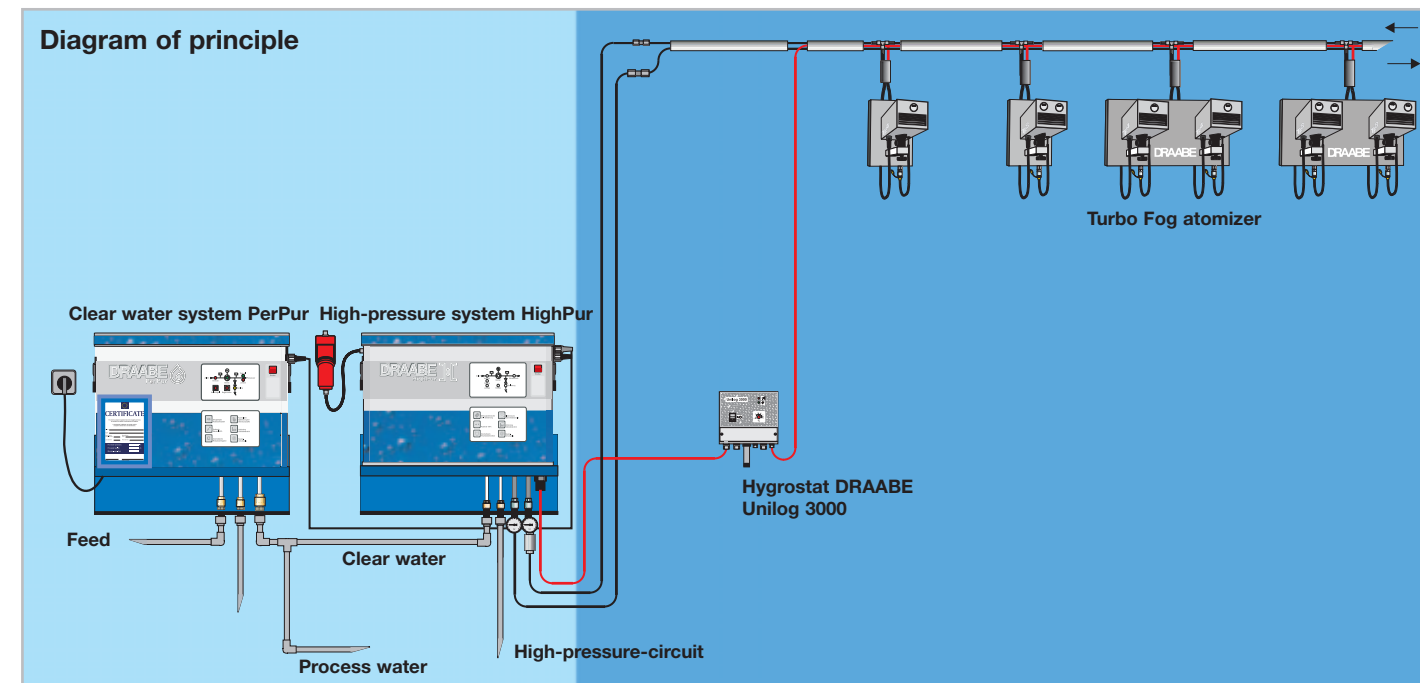


DRAABE TurboFog 8.2 (8 kg/h max.): Allows individual positioning

High performance



DRAABE TurboFog 16 (16 kg/h max.): For high humidification requirements



The high-pressure system HighPur



The centrally installed high-pressure system generates the pulsation pressure needed for the ultra-fine atomizing. The entire system is installed in a small portable container, which can be easily replaced during maintenance.

- Output adapts automatically
- Stainless steel technology for partially demineralised water (R/O water)
- DRAABE BioSafe germ elimination system
- Automatic rinsing system for the pipe network
- 24-hour call-out

| | HPS 60 | HPS 120 | HPS 200 |
|--------------------|--------------------|----------|----------|
| Capacity | 60 kg/h | 120 kg/h | 200 kg/h |
| Operating pressure | 85 bar | | |
| Dimensions | 600 x 400 x 400 mm | | |
| Weight | approx. 40 kg | | |
| Power consumption | 0,72 kW / 400 V3~ | | |

Capacity and size

| Technical data | TurboFog 4 | TurboFog 8.1 | TurboFog 8.2 | TurboFog 16 |
|-----------------------|---------------|--------------|--------------|-------------|
| Capacity (max.)* | 4 kg/h | 8 kg/h | 8 kg/h | 16 kg/h |
| Operating pressure | 85 bar | | | |
| Droplet size (acidic) | < 15 µ | | | |
| Regulation range | 20 - 80% r.h. | | | |
| Power supply | 230 V~ | | | |
| Power consumption | 12 W | 12 W | 24 W | 24 W |
| Weight | 2,84 kg | 3,3 kg | 7,5 kg | 8,4 kg |

*Performance depends on the nozzle used

Precisely controlled



The DRAABE Unilog 3000 hygrostat can control up to 10 TurboFog air humidifiers with pinpoint accuracy. Connection to building control systems is possible. For maintenance or calibration in the DRAABE laboratory workshop, the precision hygrostat can be removed by hand in seconds. The precision hygrostat can be strategically located according to the specific requirements of your facility.

Design

