

FIXED TYPE DEHUMIDIFIER

Provided with:

- Fittings for continuous drain pipe connection
- Automatic Humidity Controller (On/Off Humidistat)
- High and low pressure switches
- Available version: Horizontal or upper air supply

Mains Characteristics:

- Housing in a very strong aluminium pipes frame with galvanized and painted steel panels
- Housing in (Inox) stainless steel AISI 316 (Optional)
- Three speed Fan (Optional)
- Scroll Compressor

Used mainly in:

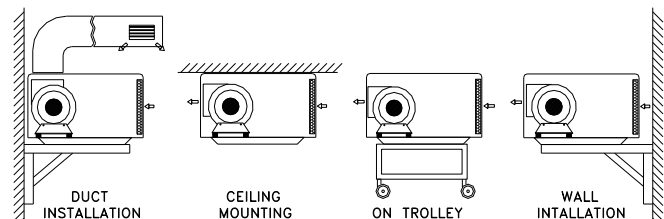
- Swimming pool rooms
- Room, Store/Ware house & Basement with high humidity.
- Application needing dehumidification upon 45%

Voltage Available:

- 220V/3Ph/60Hz



FD520



Data Sheet FD 520

AIR FLOW WITH DIFFERENT HEAD PRESSURES

Available head pressure (Pa)	0	25	50	75	100	125	150
Air flow cm/h FD520 (min. fan speed)	4600	4500	4400	4300	4300	4000	3800

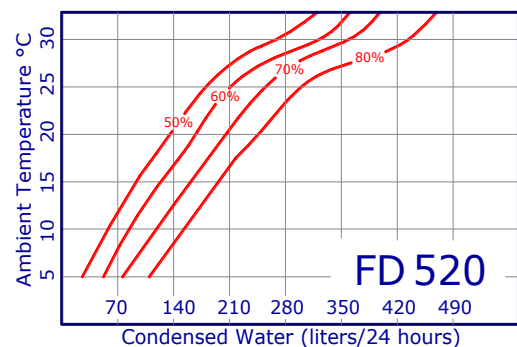
CONDENSED WATER AT DIFFERENT AMBIENT TEMPERATURE AND HUMIDITY CONDITIONS

Mod.	10°C 60%	10°C 80%	15°C 60%	15°C 80%	20°C 60%	20°C 80%	25°C 60%	25°C 80%	27°C 65%	27°C 80%	30°C 80%	32°C 90%
FD520	80 l/d	145 l/d	115 l/d	200 l/d	170 l/d	250 l/d	210 l/d	290 l/d	250 l/d	340 l/d	440 l/d	520 l/d

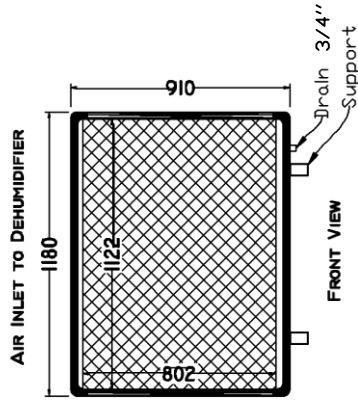
TECHNICAL DATA

FD520

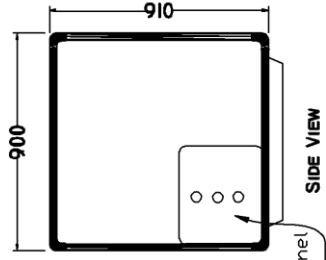
Rated Average Power Consumption (at 20°C, 60% R.H.)	5800 W
Max. Power Consumption (at 35°C, 95% R.H.)	8700 W
Max. Absorbed Current (at 35°C, 95% R.H.) (Std. Vers. 220V/3Ph/60Hz)	16.0 A
Max. Absorbed Current with fan motor (at 35°C, 95% R.H.)	15,5 A
Air flow range (m ³ /h)	
Locked Rotor Current L.R.A.	75.0
Sound Pressure Level (at 3 mts in free field)	65 db(A)
Refrigerant	R407c
Standard defrosting Control System	electronic
Condensed Water Drain Pipe Connection (male)	3/4 "
Functioning Temperature Range	7...35 °C
Functioning Relative Humidity Range	45...99 %
Rated Condensation Capacity (at 30°C...80%)	440 l/24h
Rated Condensation Capacity (at 32°C...90 %)	520 l/24h
Weight with empty tank	190 kg
Dimensions LxDxH (cm)	118x90x91
Dimensions of the Packaging Box LxDxH (cm)	120x98x100



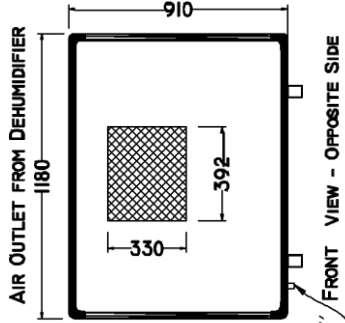
FRAL DE-HUMIDIFIER MODEL FD520 DIMENSIONS



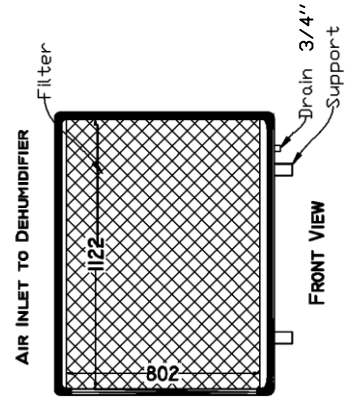
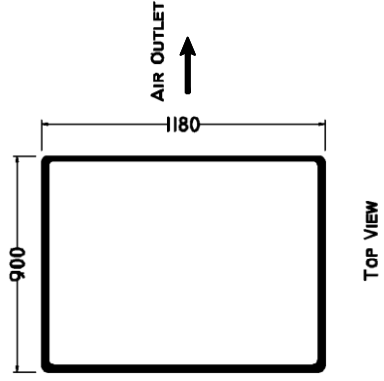
AIR INLET
MIN. AIR FLOW
4,000 M³/H



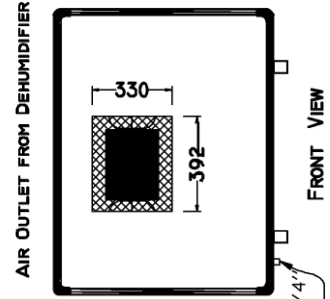
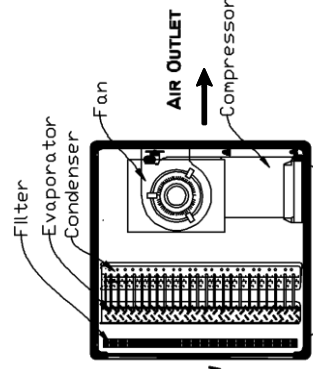
AIR INLET
MIN. AIR FLOW
4,000 M³/H



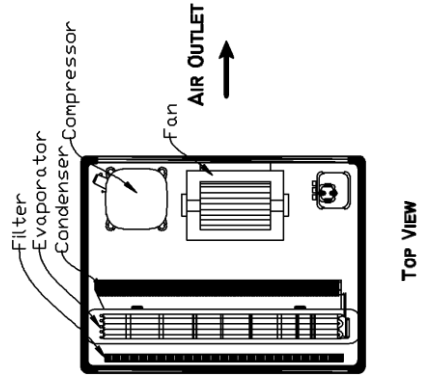
AIR INLET
MIN. AIR FLOW
4,000 M³/H



AIR INLET
MIN. AIR FLOW
4,000 M³/H



AIR INLET
MIN. AIR FLOW
4,000 M³/H



Fral Dehumidifier Schematic Diagram for model FD520

